



## Commercial Rooftop Mounting-130

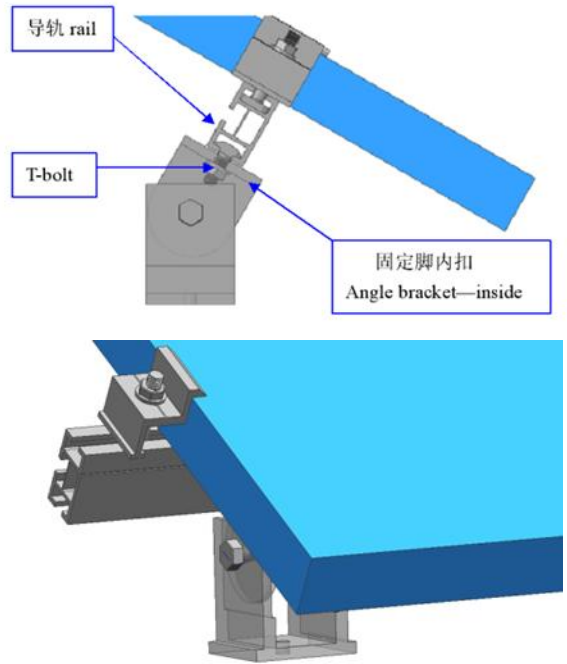
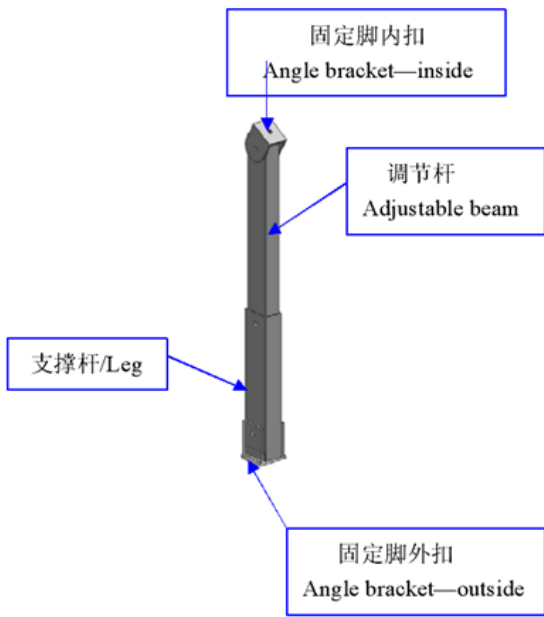
Flat roof racks 130 solar mounting system is suitable for flat RCC roof, tin roof as well as ground. Through assembly of adjusting beam, outside and inside bracket we can achieve specified angle adjustment.

可调支架130应用于平面钢筋水泥屋顶，彩钢瓦屋顶或地面。通过调节调节杆可以达到想要的支架安装倾角。

### Features

#### 产品特点

Wind Load 风载	55m/s or 200km/hour
Snow Load 雪载	1.5kn/m <sup>2</sup>
Structure 钢结构	Anodized Aluminum + Stainless Steel 阳极氧化铝+不锈钢
Module mounting area 安装面积	Standard 10 m <sup>2</sup> to ∞ 标准10 m <sup>2</sup> 到 ∞
PV peak power 光伏峰值	1 Kwp to ∞
Total weight for 1KW 1KW总重量	About 30kg without module 大约30kg (除组件外)
Tracker type 跟踪支架类型	Adjustable 可调的
Height 高度	1.0m→2.0 m
Distance from Ground to Panel 组件与地面之间的距离	100mm→500mm
Tilt angle 倾角	10° → 60°
Panel type 组件类型	Any type of PV modules 任意类型组件
Maintenance 维护	Free, Panel Cleaning as required 支架无需维护，组件要求清洁



## Foundation Type

### 基础类型

Concrete 400mm x 500mm  
混凝土L\*400, 500mm 深

Expansion bolt M10\*100mm  
膨胀螺栓M10\*100mm/预埋螺栓

## Standard Components

### 标准配件



## Certification & Warranty

### 认证及保证期

Design and wind load certificate as Per AS/NZS1170.2:2002

Guarantee: Ten years guarantee on parts

